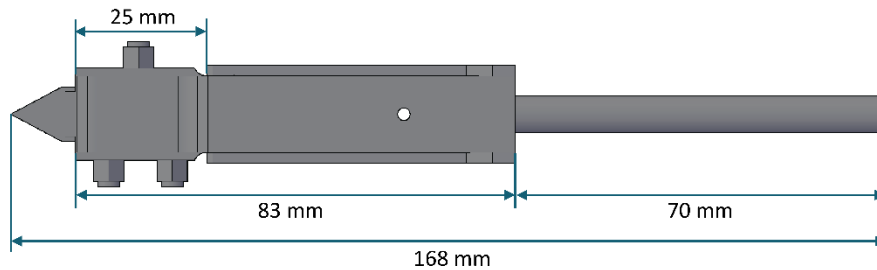
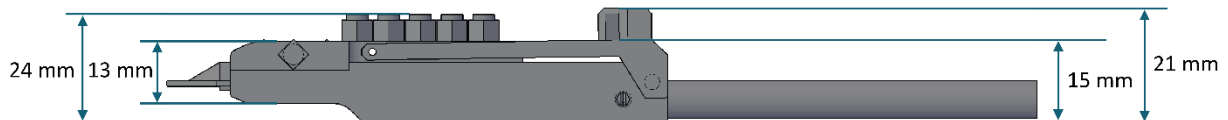
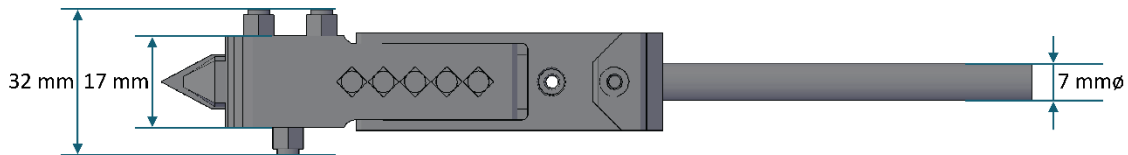
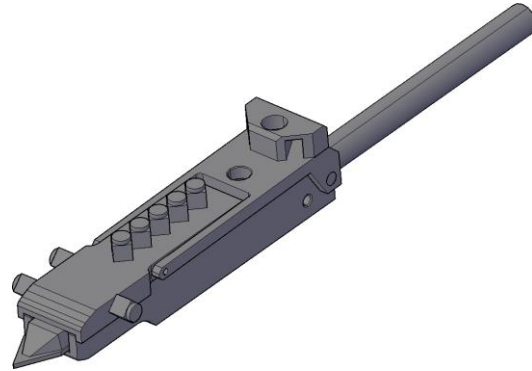


BioPen Pipette Holder Flex (PHF-1) Specifications

Pipette Holder Flex	
Weight	0.15 kg (0.33 lb)
Dimensions	18 mm (W) × 165 mm (L) × 23 mm (H)
Operating temperature	22-38 °C



Schematics of PHF-1 pipette holder